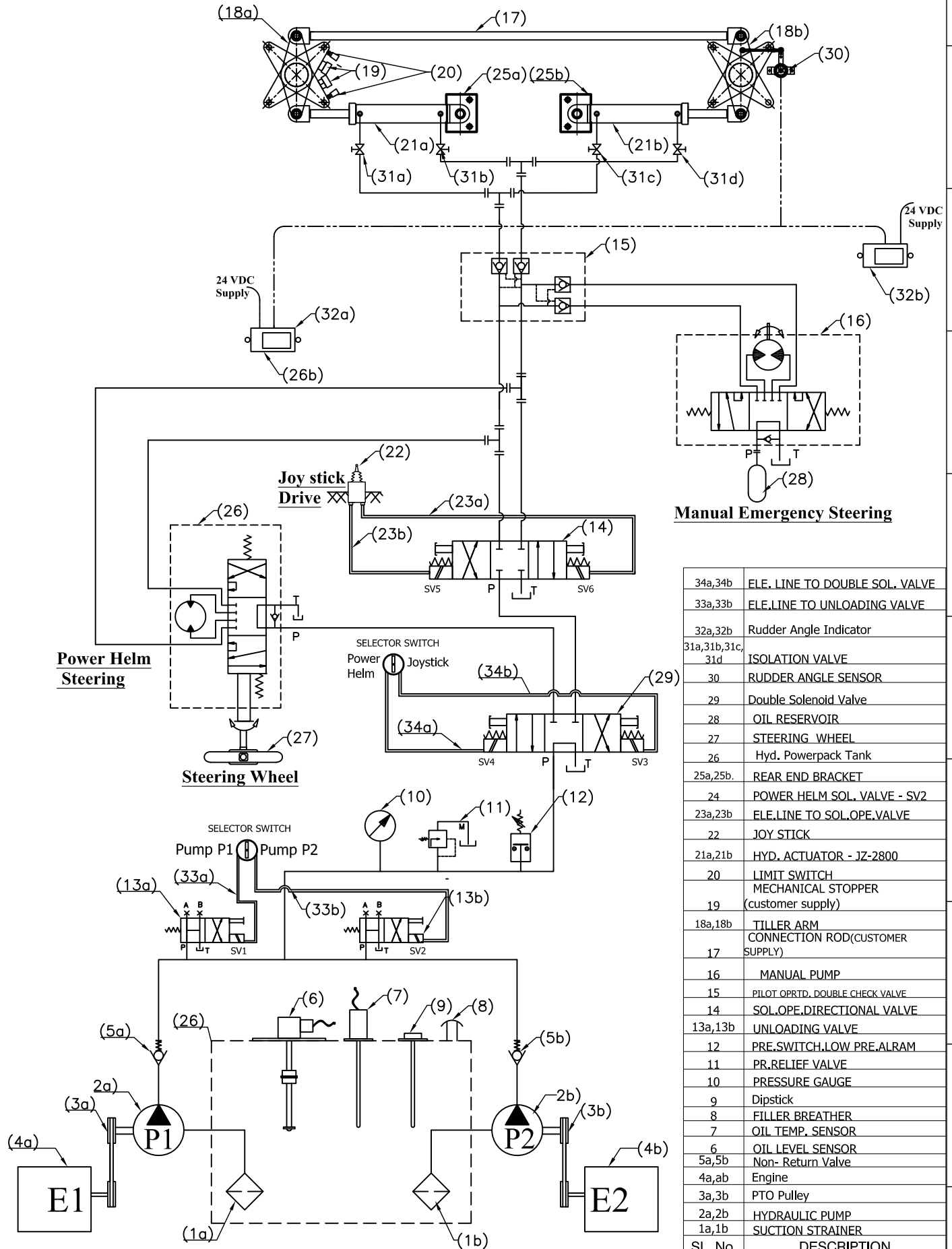


Electro-Hydro. Circuit - JumboZ - 2800E PTO with PowerHelm - Joystick



Manual Emergency Steering

34a,34b	ELE. LINE TO DOUBLE SOL. VALVE
33a,33b	ELE.LINE TO UNLOADING VALVE
32a,32b	Rudder Angle Indicator
31a,31b,31c,31d	ISOLATION VALVE
30	RUDDER ANGLE SENSOR
29	Double Solenoid Valve
28	OIL RESERVOIR
27	STEERING WHEEL
26	Hyd. Powerpack Tank
25a,25b.	REAR END BRACKET
24	POWER HELM SOL. VALVE - SV2
23a,23b	ELE.LINE TO SOL.OPE.VALVE
22	JOY STICK
21a,21b	HYD. ACTUATOR - JZ-2800
20	LIMIT SWITCH MECHANICAL STOPPER (customer supply)
19	
18a,18b	TILLER ARM CONNECTION ROD(CUSTOMER SUPPLY)
17	
16	MANUAL PUMP
15	PILOT OPRTD. DOUBLE CHECK VALVE
14	SOL.OPE.DIRECTIONAL VALVE
13a,13b	UNLOADING VALVE
12	PRE.SWITCH.LOW PRE.ALARM
11	PR.RELIEF VALVE
10	PRESSURE GAUGE
9	Dipstick
8	FILLER BREATHER
7	OIL TEMP. SENSOR
6	OIL LEVEL SENSOR
5a,5b	Non- Return Valve
4a,ab	Engine
3a,3b	PTO Pulley
2a,2b	HYDRAULIC PUMP
1a,1b	SUCTION STRAINER
SL. No.	DESCRIPTION



**MAC ♦ N ♦ HOM SYSTEMS
KOCHI - 20**

**DESIGNATION
Electro-Hydro. Circuit
JumboZ - 2800**

**DWG. No.
MHS-1317**

**DATE
02.12.2020**